

# Venus Series Engines

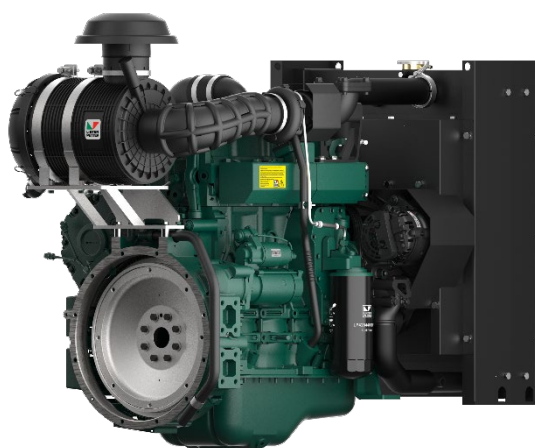


LP443G3

## LP443G3 Engine

fixed speeds  
1500 r/min

78 - 86 kWm | 104.6 – 115.3 bhp<sup>2</sup>



### OVER VIEW

The engine is specifically designed as a Power generating engine suitable for use in Stage II emissions territories. It is durable, reliable and easy to maintain with oil & filter changes up to 500 hours, dependant on operational conditions. It is designed for continuous operation in ambient temperatures up to 52°C (125°F) and a cold start capability down to -25°C (-13°F).

G Build

Note:

For further information and approval please contact Applications Department

\* Optional items standard on most builds.

### BASIC ENGINE CHARACTERISTICS

- direct fuel injection
- 4 cylinders
- liquid cooled
- Turbocharged aspirated

### DESIGN FEATURES AND EQUIPMENT

- electric starting
- anti clockwise rotation, looking on the flywheelend
- SAE Flywheel connection
- SAE compliant flywheel housing
- radiator and fangard
- cast-iron structural crankcase
- self-vent fuel injection system
- mechanical fuel injection equipment
- mechanical and electronic governing variants
- flywheel and gear ring
- cyclonic heavy duty airfiltration
- oil pressure protection switch
- coolant temperature protection switch
- spin-on full flow lubricating oil filter
- fuel filter / agglomerator
- intake and exhaust manifolds
- operators' handbook

### OPTIONAL ITEMS

A range of options are available that allows your to select a specification that matches your requirements; please consult your Lister Petter Engine distributor.

**POWER OUTPUTS<sup>3</sup> | Stage II EMISSIONS RATINGS**

Model	Speed, r/min	Power	Gross <sup>2</sup>		Net		Standard Generator Output*		
			kW	bhp	kW	bhp	Power	kVA	kWe
LP443G3	1500	Continuous	78	104.6	76	101.9	PRP	83	66
		Fuel Stop	86	115.3	84	112.6	ESP	90	72

**TECHNICAL DATA**

Engine fixed speed	1500r/min	LP443G3
Type of fuel injection		Direct
Number of cylinders		4
Aspiration		Turbocharged
Direction of rotation (flywheel end)		Anti clockwise
Nominal cylinder bore	mm	105
	in	4.1
Stroke	mm	124
	in	4.9
Total cylinder capacity	litre	4.3
	in <sup>3</sup>	262
Compression ratio		17.3:1
Firing order (number 1 cylinder is at the gear end)		1-3-4-2
Alternator		24Vx55A
Starter motor		24Vx4.5kW
Fuel injection pump		Mechanical
Speed governor		Electronic
Speed regulation class		ISO 8528 G3
Fly wheel housing		SAE 3
Fly wheel		SAE J620 Size 11.5"

**RATING DEFINITIONS TO ISO 3046**

**ISO Standard Conditions**

Barometric pressure 100kPa  
 Relative humidity 30%  
 Ambient air temperature at the inlet manifold 25°C

**Power Standards**

The engine performance corresponds to ISO 3046, BS 5514 and DIN 6271. The technical data applies to an engine without cooling fan and operating on a fuel with calorific value of 42.7 MJ/kg (18360 BTU/lb) and a density of 0.84 kg/liter (7.01 lb/US gal, 8.42 lb/Imp gal).

**Fixed Speed: Continuous Power (ICN)**

The power in kW which the engine is capable of delivering continuously at the stated crankshaft speed, under ISO 3046 standard conditions, measured at the flywheel without power-absorbing accessories, provided that the engine is overhauled and maintained in good operating condition and that fuel to BS EN 590 Class A1 or A2, and lubricating oils to the correct performance specification and viscosity classification as recommended by Lister Petter Engine Company are used.

**Fixed Speed (Fuel Stop): Overload Power (ICXN)**

The maximum power in kW which the engine is capable of delivering intermittently at the stated crankshaft speed for a period not exceeding one hour in any period of twelve hours of continuous running, immediately after working at the continuous power, under ISO 3046 standard conditions and with the provisions specified for continuous power in item (1) above, but with the fuel limited so that the fuel stop power cannot be exceeded.

**Derating**

For non-standard site conditions, reference should be made to relevant BS, ISO & DIN standards.

**Notes:**

1. Power ratings are measured at the flywheel end.
- 2.. Power ratings and fuel consumption figures apply to a fully run-in, non derated engine without a radiator and fan fitted, and without power absorbing accessories or transmission equipment.

\* The power output of the generator data is calculated using a typical efficiency of the AC generator. The kVA and kWe values are converted as per standard power factor 0.8. Generator data is for reference only.

**EXHAUST AND INTAKE SYSTEM | 1500 RPM FIXED SPEED ENGINES**

Parameter	Engine Model
	LP443G3
<b>EXHAUST</b>	
Maximum allowable back-pressure (kPa)	≤ 10
Exhaust gas flow, (m <sup>3</sup> /min)	13.2
Emissions level	Stage II
Exhaust gas temperature, continuous (°C)	550
Exhaust gas temperature, overload (°C)	600
Exhaust pipe diameter - recommended	80mm
<b>INTAKE</b>	
Maximum allowable inlet restriction (kPa)	≤ 6
Combustion air flow (m <sup>3</sup> /min)	5.6

**ENGINE COOLANT SYSTEM | 1500 RPM, FIXED SPEED**

Parameter	Engine Model
	LP443G3
Cooling method	Liquid cooled (belt driven water pump)
<b>RADIATOR</b>	
Material	Aluminium
Radiator face area (m <sup>2</sup> )	38
Pressure cap setting (kPa)	70
<b>FAN</b>	
Diameter (mm)	500
Number of blades	7
Material	Plastic
Type	Blower type
<b>COOLANT</b>	
Cooling package maximum operating temperature (°C)	≤104
Total system with radiator capacity (L)	31
Total system without radiator capacity (L)	12
Thermostat type	Wax Capsule
Thermostat opens at... (°C)	82
Thermostat fully open at... (°C)	≤ 95
Minimum temperature to engine (°C)	-25
Maximum static pressure head at pump (meters at 1500rpm)	14
Cooling fan flow rate (m <sup>3</sup> /s)	2.3

**Recommended coolant:**

50% ethylene glycol with a corrosion inhibitor (BS 6580 : 1992 or ASTM D3306-89 or AS2108) and 50% de-ionised water

**ENGINE LUBRICATION SYSTEM**

Parameter	Engine Model
	LP443G3
Lubricating method	Pressure feed and splash
Sump capacity including filter(L)	13
Service Interval (hr)	500
Oil filter type	Spin-on full flow oil filter
Oil Specification	API CH-4
	ACEA E5
Oil consumption % SFC	≤ 0.1%
Oil consumption, 100% (l/hr)	0.06
Lubricating oil temperature (°C)	90-105
Maximum oil temperature (°C)	108
Maximum operation angle of engine (degrees)	25°

### APPROXIMATE FUEL CONSUMPTION

		Engine model	
Speed, r/min	Load	LP443G3	
		g/kWh	l/h
1500	110%	212	21.8
	100%	209	19.5
	75%	204	14.3
	50%	212	9.9
	25%	236	5.5

\*Diesel fuel density 0.835 g/cm<sup>3</sup>

\* The power output of the engine is calculated according to NPT conditions.

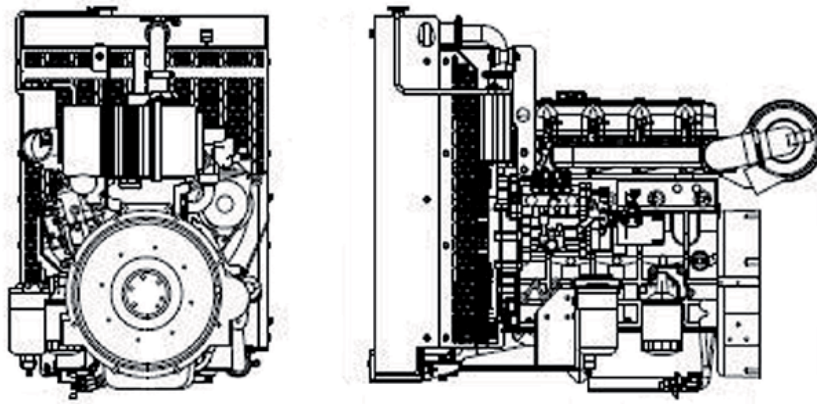
\* For non-standard site conditions not listed, reference should be made to BS, ISO and DIN standards.

\* Inquiry should always be made to the technical department of the respective manufacturer if the attitude is above 3000m.

### ENGINE NOISE LEVELS

Parameter	Engine Model
	LP443G3
Sound pressure level at 1m	≤95 dB(A)

### APPROXIMATE DIMENSIONS AND WEIGHT



Engine model	LP443G3	
Dry weight	kg	486
	lb	1069
Length (A)	mm	1230
	in	48.0
Width (B)	mm	774
	in	30.2
Height (C)	mm	1079
	in	42.1

### TYPICAL PACKING CASE DIMENSIONS

Engine packing case dimensions	Radiator packing case dimensions	Container quantities ( Engine with Radiator)		
L*W*H(mm)	W*D*H(mm)	20FT	40FT	40HQ
1100*790*1165	750*465*1038	20 sets	42 sets	42 sets



**Head Office**  
Lister Petter Engine Company Limited

Rutland House, Minerva Business Park,  
Lynch Wood, Peterborough, PE2 6PZ.

**Distributor Address**



enquiry@listerpetter.com  
www.listerpetter.com